

3ISYS-ETHE-8C2FC-POE-24V

INDUSTRIAL 10-PORT MANAGED POE ETHERNET SWITCH WITH
2XGIGABIT COMBO PORTS, SFP SOCKET AND, 8X10/100BASE-T(X)
P.S.E. 24V POWER INPUTS

FEATURES

- World's fastest Redundant Ethernet Ring: (recovery time < 10ms over 250 units of connection)
- Uni-Ring support the other vendor's ring technology in open architecture
- Sys-Chain allow multiple redundant network rings
- Support standard IEC 62439-2 MRP (Media Redundancy Protocol) function
- STP/RSTP/MSTP supported
- 8 ports P.S.E. fully compliant with IEEE802.3af standard, provide up to 15.4 Watts per port
- Provide PoE power on delay function, users can define delay time for PoE power supply
- Support dual wide range 24~36VDC power inputs for power redundancy
- Support PTP Client (Precision Time Protocol) clock
- Support Modbus/TCP protocol synchronization
- IGMP v2/v3 (IGMC snooping support) for filtering multicast traffic
- Port Trunking for easy of bandwidth management
- SNMP v1/v2c/v3 support for secured network management
- RMON for traffic monitoring
- Support LLDP (Link Layer Discovery Protocol)
- Supports DDM (Digital Diagnostic Monitoring) function
- Event notification through Syslog, Email, SNMP trap, and Relay Output
- Port lock to prevent access from unauthorized MAC address
- Windows utility (System-vision) support centralized management and configurable by Web-based ,Telnet, Console (CLI)
- Support two Gigabit combo ports



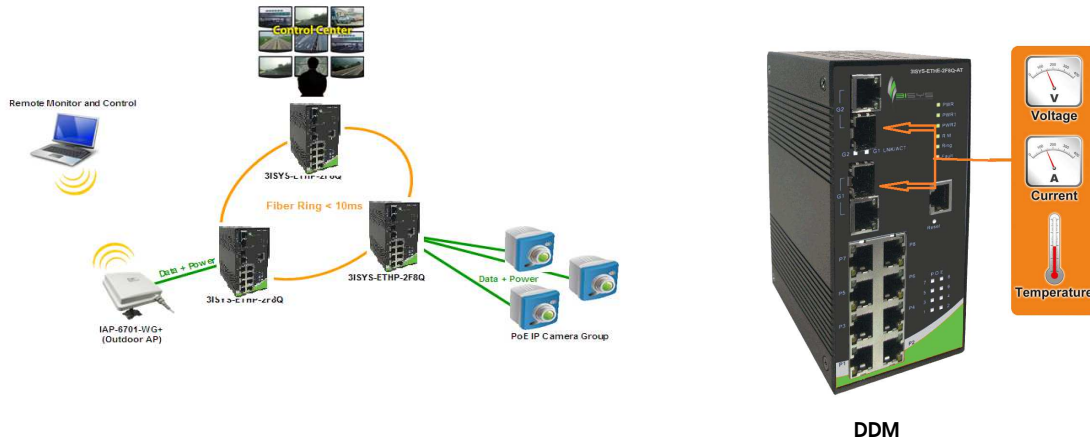
© 2014 3ISYS NETWORKS INC ALL RIGHTS RESERVED. THIS DOCUMENT IS 3ISYS PUBLIC INFORMATION ALL SPECIFICATIONS ARE SUBJECT TO CHANGE WITHOUT FURTHER NOTICE. ALL FEATURES WITH * MARK WILL BE AVAILABLE BY FIRMWARE UPGRADE.

PRODUCT OVERVIEW

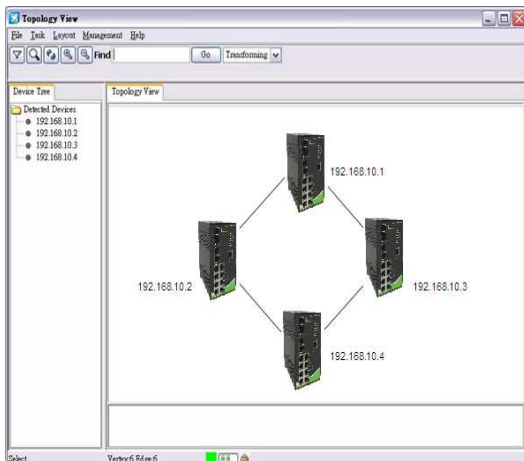
3ISYS-ETHE-8C2FC-24V is managed redundant ring Ethernet switch with 8x10/100Base-T(X) ports with PoE (P.S.E.) function and 2xGigabit combo ports. With completely support of Ethernet redundancy protocol, Ring (recovery time < 10ms over 250 units of connection), Uni-Ring, Sys-Chain, MRP and MSTP/RSTP/STP (IEEE 802.1s/w/D) can protect your mission-critical applications from network interruptions or temporary malfunctions with its rapid recovery technology. Another Uni-Ring technology is also supported which can be applied for other vendor's proprietary ring. Sys-Chain is the revolutionary network redundancy technology that provides the add-on network redundancy topology for any backbone network, Sys-Chain allows multiple redundant network rings of different redundancy protocols to join and function together as a larger and more robust compound network topology. Sys-Chain providing ease-of-use while maximizing fault-recovery swiftness, flexibility, compatibility, and cost-effectiveness in one set of network redundancy topology.

System-vision

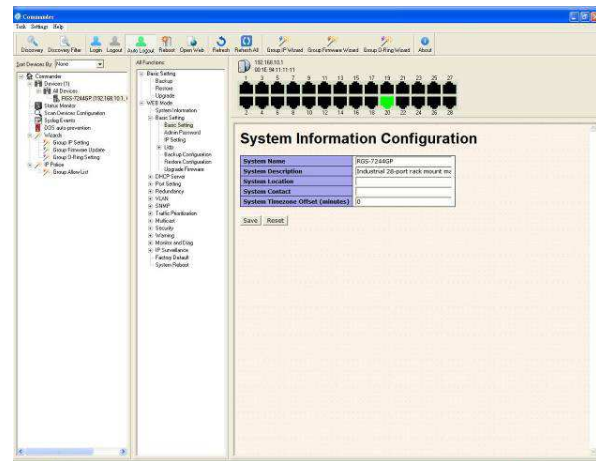
3ISYS's switches are intelligent switches. Being different from other traditional redundant switches, 3ISYS provides a set of Windows utility (System-vision) for user to manage and monitor all of industrial Ethernet switches on the industrial network.



Network connection

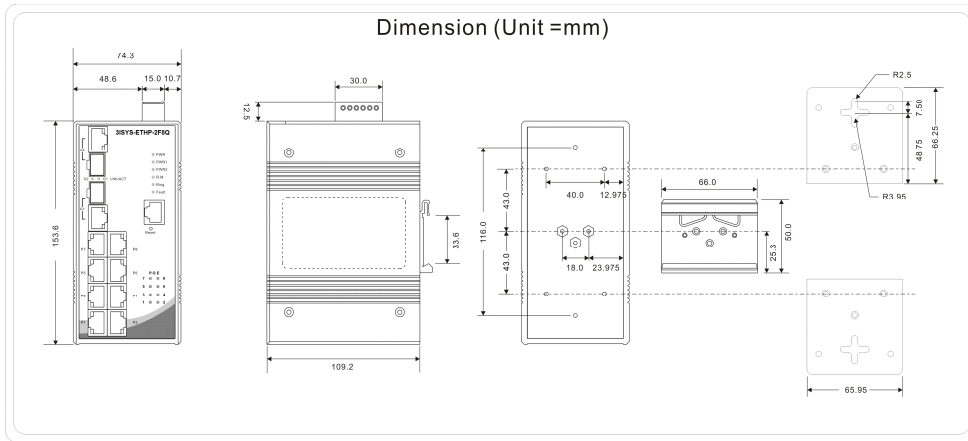


Topology View



Monitoring and Configuration interface

Dimension



PoE Pin Definition

RJ-45 Pin Definition	
Pin No.	Description
#1	TD+ with PoE Power input +
#2	TD- with PoE Power input +
#3	RD+ with PoE Power input -
#6	RD- with PoE Power input -

Specifications

3ISYS Switch Model	3ISYS-ETHE-8C2FC-24V
Physical Ports	
Gigabit Combo Ports with 10/100/1000Base-T(X) and 100/1000Base-X SFP port	2
10/100 Base-T(X) Ports in RJ45 Auto MDI/MDIX with P.S.E.	8
Technology	
Ethernet Standards	<ul style="list-style-type: none"> § IEEE 802.3 for 10Base-T § IEEE 802.3u for 100Base-TX and 100Base-FX § IEEE 802.3z for 1000Base-X § IEEE 802.3ab for 1000Base-T § IEEE 802.3x for Flow control § IEEE 802.3ad for LACP (Link Aggregation Control Protocol) § IEEE 802.1D for STP (Spanning Tree Protocol) § IEEE 802.1p for COS (Class of Service) § IEEE 802.1Q for VLAN Tagging § IEEE 802.1w for RSTP (Rapid Spanning Tree Protocol) § IEEE 802.1s for MSTP (Multiple Spanning Tree Protocol) § IEEE 802.1x for Authentication § IEEE 802.1AB for LLDP (Link Layer Discovery Protocol) § IEEE 802.3af PoE specification (up to 15.4 Watts per port for P.S.E.)
MAC Table	8192 MAC addresses
Priority Queues	4
Processing	Store-and-Forward
Switch Properties	<ul style="list-style-type: none"> § Switching latency: 7 us § Switching bandwidth: 5.6Gbps § Max. Number of Available VLANs: 4096 § IGMP multicast groups: 1024

	<ul style="list-style-type: none"> § Port rate limiting: User Define
Security Features	<ul style="list-style-type: none"> § Enable/disable ports, MAC based port security § Port based network access control (802.1x) § VLAN (802.1Q) to segregate and secure network traffic § Supports Q-in-Q VLAN for performance & security to expand the VLAN space § Radius centralized password management § SNMP v1/v2c/v3 encrypted authentication and access security
Software Features	<ul style="list-style-type: none"> § STP/RSTP/MSTP (IEEE 802.1D/w/s) § Redundant Ring (3-Ring) with recovery time less than 10ms over 250 units § TOS/Diffserv supported § Quality of Service (802.1p) for real-time traffic § VLAN (802.1Q) with VLAN tagging and GVRP supported § IGMP Snooping for multicast filtering § Port configuration, status, statistics, monitoring, security § SNTP for synchronizing of clocks over network § Support PTP Client (Precision Time Protocol) clock synchronization § DHCP Server / Client support § Port Trunk support § MVR (Multicast VLAN Registration) support § Modbus TCP
Network Redundancy	<ul style="list-style-type: none"> § 3-Ring § Uni-Ring § Sys-Chain § MRP § STP / RSTP / MSTP
Warning / Monitoring System	<ul style="list-style-type: none"> § Relay output for fault event alarming § Syslog server / client to record and view events § Include SMTP for event warning notification via email § Event selection support
DDM Function	Voltage / Current / Temperature
RS-232 Serial Console Port	RS-232 in RJ45 connector with console cable. 9600bps, 8, N, 1
LED indicators	

Power/PoE Indicator	Green : Power LED x 3, Green : PoE LED x 8
3-Ring Indicator	Green : Indicate system operated in 3-Ring mode
R.M. indicator	Green : Indicate system operated in 3-Ring Master mode
Fault indicator	Amber : Indicate unexpected event occurred
10/100Base-T(X) RJ45 Port Indicator	Green for port Link/Act. Amber for Duplex/Collision
10/100/1000Base-T(X) RJ45 Port Indicator	Green for Link/Act. Amber for 100Mbps indicator
100/1000Base-X Fiber Port Indicator	Green for port Link/Act.
Fault contact	
Relay	Relay output to carry capacity of 1A at 24VDC
Power	
Redundant Input Power	Dual DC inputs. 24 ~ 36VDC on 6-pin terminal block
Power Consumption (Typ.)	9 Watts (power consumption of P.S.E. is not included)
Overload Current Protection	Present
Reverse polarity protection	Not Presented
Physical Characteristic	
Enclosure	IP-30
Dimension (W x D x H)	74.3 (W) x 109.2 (D) x 153.6 (H) mm (2.93 x 4.3 x 6.05 inch)
Weight (g)	1100 g
Environmental	
Storage Temperature	-40 to 85°C (-40 to 185°F)
Operating Temperature	-40 to 70°C (-40 to 158°F)
Operating Humidity	5% to 95% Non-condensing
Regulatory approvals	
EMI	FCC Part 15, CISPR (EN55022) class A
EMS	EN61000-4-2 (ESD), EN61000-4-3 (RS), EN61000-4-4 (EFT), EN61000-4-5 (Surge), EN61000-4-6 (CS), EN61000-4-8, EN61000-4-11
Shock	IEC60068-2-27
Free Fall	IEC60068-2-32
Vibration	IEC60068-2-6
Safety	EN60950-1
Warranty	1 year

Ordering Information

3ISYS -AAAA-C-FC

Module Identifier	Number of Copper 10/100Base-T(X) ports	Number of 10/100/1000Base-T(X) Combo Ports
Fast Ethernet, ETHE	8	2

Available Model	Model Name	Description
	3ISYS-ETHE-8C2FC-24V	Industrial 10-port managed PoE Ethernet switch with 8x10/100Base-T(X) P.S.E. and 2xGigabit combo ports, SFP socket

Items Included

1	3ISYS-ETHE-8C2FC-24V x 1	1	3ISYS Tool CD x 1	1	Quick Installation Guide x 1
1	DIN-Rail Kit x 1	1	Wall-mount Kit x 1	1	Console Cable x 1

Optional Accessories

1	System-vision S5C: Powerful Network Management Windows Utility Suit, 500 IP devices	1	3ISYS-SFP-100 : 100Mbps SFP optical transceiver
1	3ISYS-PWR-75-48 : 75 Watts DIN-Rail power supply	1	3ISYS-SFP-1G: 1Gbps SFP optical transceiver
		1	3ISYS-PWR-120-48 : 120 Watts DIN-Rail power supply



CONTACT DETAILS

#F-2, No. 12, Alley 112
Lane 12 Wen Hu Street Taipei, Taiwan
Ph: +886920221793

Office 508, The Fairmont
Shiekh Zayed Road, UAE
Ph: +97143116732

P.O. Box 74, P.C 102 CB 49
Al-Khuwair-233, Muscat
Ph: +96824488412

www.3isysnetworks.com

[Click to Read More](#)

© 2012 3ISYS Networks Inc All rights reserved. This document is 3ISYS Networks Public Information

All specifications are subject to change without further notice. All features with * mark will be available by firmware upgrade.