

# 3ISYS-ETHE-8C2FC

**INDUSTRIAL 10-PORT MANAGED POE ETHERNET SWITCH WITH  
2XGIGABIT COMBO PORTS, SFP SOCKET AND 8X10/100BASE-T(X) P.S.E.**

## FEATURES

- World's fastest Redundant Ethernet Ring: Sys-Ring (recovery time < 10ms over 250 units of connection)
- Uni-Ring support the other vendor's ring technology in open architecture
- Sys-Chain allow multiple redundant network rings
- Support standard IEC 62439-2 MRP (Media Redundancy Protocol) function
- STP/RSTP/MSTP supported
- 8 ports P.S.E. fully compliant with IEEE802.3af standard, provide up to 15.4 Watts per port
- Provide PoE power on delay function, users can define delay time for PoE power supply
- Support PTP Client (Precision Time Protocol) clock
- Support Modbus/TCP protocol synchronization
- IGMP v2/v3 (IGMC snooping support) for filtering multicast traffic
- Port Trunking for easy of bandwidth management
- SNMP v1/v2c/v3 support for secured network management
- RMON for traffic monitoring
- Support LLDP (Link Layer Discovery Protocol)
- Supports DDM (Digital Diagnostic Monitoring) function
- Event notification through Syslog, Email, SNMP trap, and Relay Output
- Port lock to prevent access from unauthorized MAC address
- Windows utility (System-vision) support centralized management and configurable by Web-based, Telnet, Console (CLI)
- Support two Gigabit combo ports
- Rigid IP-30 housing design
- DIN-Rail and wall mounting enabled



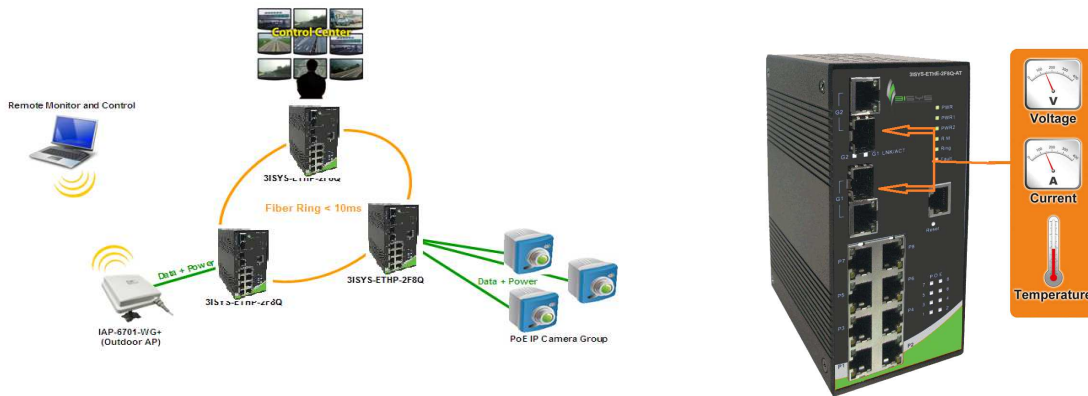
© 2014 3ISYS NETWORKS INC ALL RIGHTS RESERVED. THIS DOCUMENT IS 3ISYS PUBLIC INFORMATION ALL SPECIFICATIONS ARE SUBJECT TO CHANGE WITHOUT FURTHER NOTICE. ALL FEATURES WITH \* MARK WILL BE AVAILABLE BY FIRMWARE UPGRADE.

## PRODUCT OVERVIEW

3ISYS-ETHE-8C2FC is managed redundant ring Ethernet switch with 8x10/100Base-T(X) ports with PoE (P.S.E.) function and 2xGigabit combo ports. With completely support of Ethernet redundancy protocol, Sys-Ring (recovery time < 10ms over 250 units of connection), Uni-Ring, Sys-Chain, MRP and MSTP/RSTP/STP (IEEE 802.1s/w/D) can protect your mission-critical applications from network interruptions or temporary malfunctions with its fast recovery technology. Another Uni-Ring technology is also supported which can be applied for other vendor's proprietary ring. Sys-Chain is the revolutionary network redundancy technology that provides the add-on network redundancy topology for any backbone network, Sys-Chain allows multiple redundant network rings of different redundancy protocols to join and function together as a larger and more robust compound network topology. Sys-Chain providing ease-of-use while maximizing fault-recovery swiftness, flexibility, compatibility, and cost-effectiveness in one set of network redundancy topology.

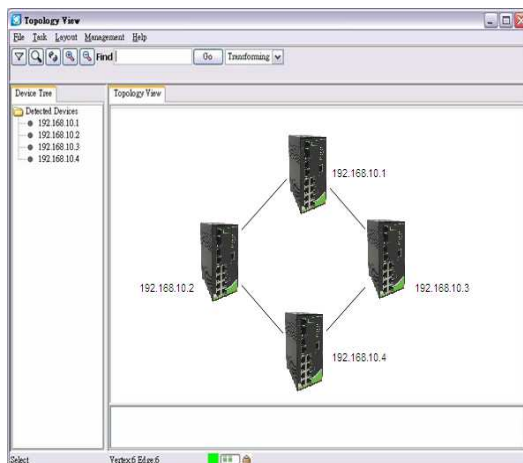
## System-vision

3ISYS's switches are intelligent switches. Being different from other traditional redundant switches, 3ISYS provides a set of Windows utility (System-vision) for user to manage and monitor all of industrial Ethernet switches on the industrial network.

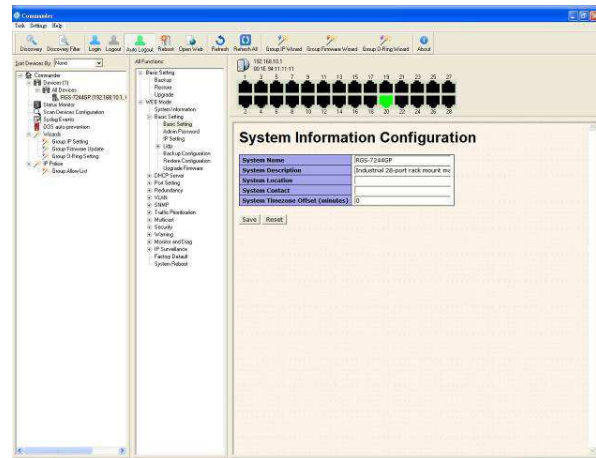


DDM

### Network connection

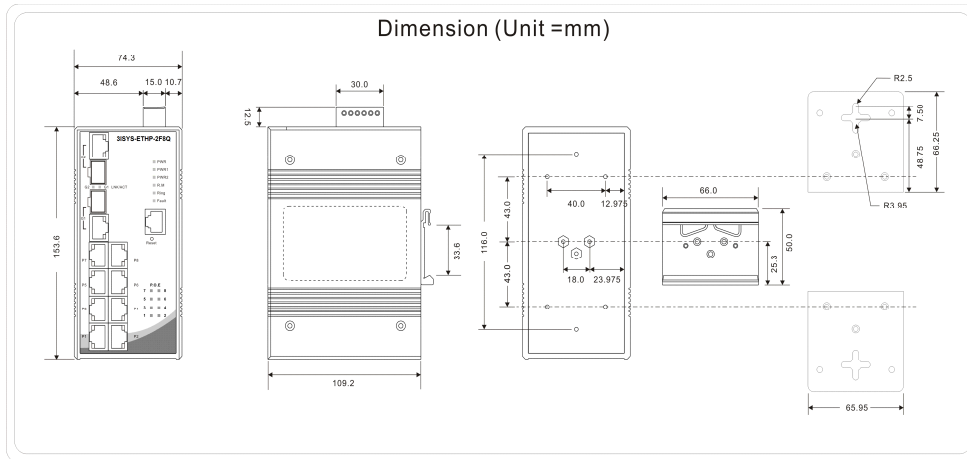


Topology View



Monitoring and Configuration interface

## Dimension



## PoE Pin Definition

RJ-45 Pin Definition	
Pin No.	Description
#1	TD+ with PoE Power input +
#2	TD- with PoE Power input +
#3	RD+ with PoE Power input -
#6	RD- with PoE Power input -

## Specifications

3ISYS Switch Model	3ISYS-ETHE-8C2FC
<b>Physical Ports</b>	
Gigabit Combo Ports with 10/100/1000Base-T(X) and 100/1000Base-X SFP port	<b>2</b>
10/100 Base-T(X) Ports in RJ45 Auto MDI/MDIX with P.S.E.	<b>8</b>
<b>Technology</b>	
Ethernet Standards	<ul style="list-style-type: none"> <li>§ IEEE 802.3 for 10Base-T</li> <li>§ IEEE 802.3u for 100Base-TX and 100Base-FX</li> <li>§ IEEE 802.3z for 1000Base-X</li> <li>§ IEEE 802.3ab for 1000Base-T</li> <li>§ IEEE 802.3x for Flow control</li> <li>§ IEEE 802.3ad for LACP (Link Aggregation Control Protocol )</li> <li>§ IEEE 802.1D for STP (Spanning Tree Protocol)</li> <li>§ IEEE 802.1p for COS (Class of Service)</li> <li>§ IEEE 802.1Q for VLAN Tagging</li> <li>§ IEEE 802.1w for RSTP (Rapid Spanning Tree Protocol)</li> <li>§ IEEE 802.1s for MSTP (Multiple Spanning Tree Protocol)</li> <li>§ IEEE 802.1x for Authentication</li> <li>§ IEEE 802.1AB for LLDP (Link Layer Discovery Protocol)</li> <li>§ IEEE 802.3af PoE specification (up to 15.4 Watts per port for P.S.E.)</li> </ul>
MAC Table	8192 MAC addresses
Priority Queues	4

Processing	Store-and-Forward
Switch Properties	<ul style="list-style-type: none"> <li>§ Switching latency: 7 us</li> <li>§ Switching bandwidth: 5.6Gbps</li> <li>§ Max. Number of Available VLANs: 4096</li> <li>§ IGMP multicast groups: 1024</li> <li>§ Port rate limiting: User Define</li> </ul>
Security Features	<ul style="list-style-type: none"> <li>§ Enable/disable ports, MAC based port security</li> <li>§ Port based network access control (802.1x)</li> <li>§ VLAN (802.1Q ) to segregate and secure network traffic</li> <li>§ Supports Q-in-Q VLAN for performance &amp; security to expand the VLAN space</li> <li>§ Radius centralized password management</li> <li>§ SNMP v1/v2c/v3 encrypted authentication and access security</li> </ul>
Software Features	<ul style="list-style-type: none"> <li>§ STP/RSTP/MSTP (IEEE 802.1D/w/s)</li> <li>§ Redundant Ring (Sys-Ring) with recovery time less than 10ms over 250 units</li> <li>§ TOS/Diffserv supported</li> <li>§ Quality of Service (802.1p) for real-time traffic</li> <li>§ VLAN (802.1Q) with VLAN tagging and GVRP supported</li> <li>§ IGMP Snooping for multicast filtering</li> <li>§ Port configuration, status, statistics, monitoring, security</li> <li>§ SNTP for synchronizing of clocks over network</li> <li>§ Support <b>PTP Client</b> (Precision Time Protocol) clock synchronization</li> <li>§ DHCP Server / Client support</li> <li>§ Port Trunk support</li> <li>§ MVR (Multicast VLAN Registration) support</li> <li>§ Modbus TCP</li> </ul>
Network Redundancy	<ul style="list-style-type: none"> <li>§ Sys-Ring</li> <li>§ Uni-Ring</li> <li>§ Sys-Chain</li> <li>§ MRP</li> <li>§ STP / RSTP / MSTP</li> </ul>
Warning / Monitoring	<ul style="list-style-type: none"> <li>§ Relay output for fault event alarming</li> </ul>

System	<ul style="list-style-type: none"> <li>§ Syslog server / client to record and view events</li> <li>§ Include SMTP for event warning notification via email</li> <li>§ Event selection support</li> </ul>
DDM Function	Voltage / Current / Temperature
RS-232 Serial Console Port	RS-232 in RJ45 connector with console cable. 9600bps, 8, N, 1
<b>LED indicators</b>	
Power/PoE Indicator	Green : Power LED x 3, Green : PoE LED x 8
Sys-Ring Indicator	Green : Indicate system operated in Sys-Ring mode
R.M. indicator	Green : Indicate system operated in Sys-Ring Master mode
Fault indicator	Amber : Indicate unexpected event occurred
10/100Base-T(X) RJ45 Port Indicator	Green for port Link/Act. Amber for Duplex/Collision
10/100/1000Base-T(X) RJ45 Port Indicator	Green for Link/Act. Amber for 100Mbps indicator
100/1000Base-X Fiber Port Indicator	Green for port Link/Act.
<b>Fault contact</b>	
Relay	Relay output to carry capacity of 1A at 24VDC
<b>Power</b>	
Redundant Input Power	Dual DC inputs. 48VDC on 6-pin terminal block
Power Consumption (Typ.)	9 Watts (power consumption of P.S.E. is not included)
Overload Current Protection	Present
Reverse polarity protection	Not Presented
<b>Physical Characteristic</b>	
Enclosure	IP-30
Dimension (W x D x H)	74.3 (W) x 109.2 (D) x 153.6 (H) mm (2.93 x 4.3 x 6.05 inch)
Weight (g)	1100 g
<b>Environmental</b>	
Storage Temperature	-40 to 85°C (-40 to 185°F)
Operating	-40 to 70°C (-40 to 158°F)

Temperature	
Operating Humidity	5% to 95% Non-condensing
<b>Regulatory approvals</b>	
EMI	FCC Part 15, CISPR (EN55022) class A
EMS	EN61000-4-2 (ESD), EN61000-4-3 (RS), EN61000-4-4 (EFT), EN61000-4-5 (Surge), EN61000-4-6 (CS), EN61000-4-8, EN61000-4-11
Shock	IEC60068-2-27
Free Fall	IEC60068-2-32
Vibration	IEC60068-2-6
Safety	EN60950-1
<b>Warranty</b>	1 year



## Ordering Information

**3ISYS®-AAAA-C-FC**

Module Identifier	Number of 10/100 Base-T(X) Ports	Number of 100/1000Base-X SFP ports
Fast Ethernet, ETHE	8	2

## Items Included

1	<b>3ISYS-ETHE-8C2FC x 1</b>	1	<b>3ISYS Tool CD x 1</b>	1	<b>Quick Installation Guide x 1</b>
1	<b>DIN-Rail Kit x 1</b>	1	<b>Wall-mount Kit x 1</b>	1	<b>Console Cable x 1</b>

## Optional Accessories

1	<b>System-vision M5C : Powerful Network Management Windows Utility Suit, 500 IP devices</b>	1	<b>3ISYS-SFP-100 : 100Mbps SFP optical transceiver</b>
1	<b>3ISYS-PWR-75-48 : 75 Watts DIN-Rail power supply</b>	1	<b>3ISYS-SFP-1G : 1Gbps SFP optical transceiver</b>
		1	<b>3ISYS-PWR-120-48 : 120 Watts DIN-Rail power supply</b>



## CONTACT DETAILS

#F-2, No. 12, Alley 112  
Lane 12 Wen Hu Street Taipei, Taiwan  
Ph: +886920221793

Office 508, The Fairmont  
Shiekh Zayed Road, UAE  
Ph: +97143116732

P.O. Box 74, P.C 102 CB 49  
Al-Khuwair-233, Muscat  
Ph: +96824488412

[www.3isysnetworks.com](http://www.3isysnetworks.com)

[Click to Read More](#)

© 2012 3ISYS Networks Inc All rights reserved. This document is 3ISYS Networks Public Information

All specifications are subject to change without further notice. All features with \* mark will be available by firmware upgrade.