

3ISYS-ETHP-4C2F-POE

INDUSTRIAL 6-PORT LITE-MANAGED POE ETHERNET SWITCH
WITH 4X10/100BASE-T(X) P.S.E. AND 2X100BASE-FX, SFP SOCKET

FEATURES

- World's fastest Redundant Ethernet Ring: Sys-Ring (Recovery time < 10ms over 250 units of connection)
- 4 ports support P.S.E. based on IEEE 802.3af standard up to 25 Watts per port
- Rigid IP-30 housing design
- DIN-Rail and wall mounting enabled
- Sys-Ring support the other vendor's ring technology in open architecture
- Uni-Chain support the multiple redundant ring technology
- Provide Fast recovery technology for Ethernet multi-redundancy
- RSTP / STP (IEEE 802.1w/D)
- SNMP v1/v2c/v3 support for secured network management
- Support LLDP (Link Layer Discovery Protocol)
- Configurable by Web-based and Windows utility (Open-Vision)
- Event notification through Syslog, Email, and SNMP trap
- Two 100Base-FX SFP port support for long distance connection



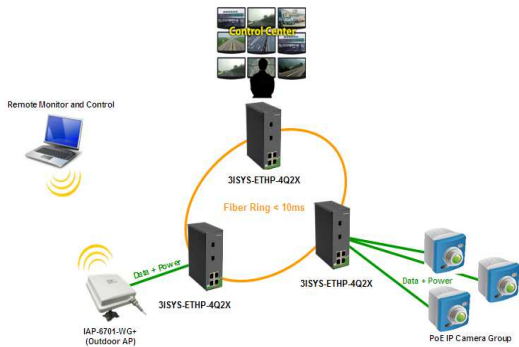
© 2014 3ISYS NETWORKS INC ALL RIGHTS RESERVED. THIS DOCUMENT IS 3ISYS PUBLIC INFORMATION ALL SPECIFICATIONS ARE SUBJECT TO CHANGE WITHOUT FURTHER NOTICE. ALL FEATURES WITH * MARK WILL BE AVAILABLE BY FIRMWARE UPGRADE.

PRODUCT OVERVIEW

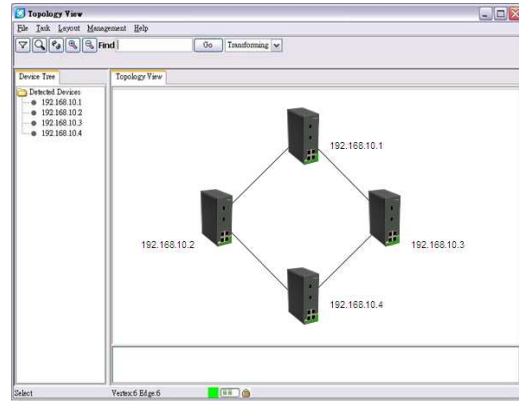
3ISYS-ETHP-4C2F is a lite-managed redundant ring PoE Ethernet switches with 4x10/100Base-T(X) P.S.E. function and 2x100Base-FX SFP socket. 3ISYS-ETHP-4C2F support Power over Ethernet, a system to transmit electrical power, along with data, to remote devices over standard twisted-pair cable in an Ethernet network. 3ISYS-ETHP-4C2F switch has 4X10/100Base-T(X) P.S.E. (Power Sourcing Equipment) ports. P.S.E. is a device (switch or hub for instance) that will provide power in a PoE setup. With completely support of Ethernet Redundancy protocol, Sys-Ring (recovery time < 10ms over 250 units of connection), Uni-Ring, Uni-Chain and STP/RSTP (IEEE802.1w/D) can protect your mission-critical applications from network interruptions or temporary malfunctions with its fast recovery technology. 3ISYS-ETHP-4C2F can be managed centralized and convenient by a powerful windows utility — Open-Vision. The wide operating temperature range from -40oC to 70oC can satisfy most of operating environment. Hence, the switch is one of the most reliable choice for easily managed and Fiber Ethernet application.

System-vision

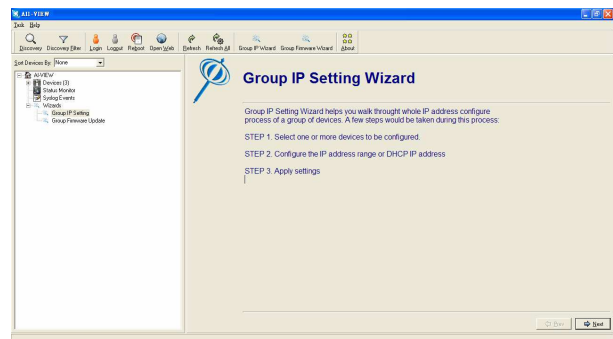
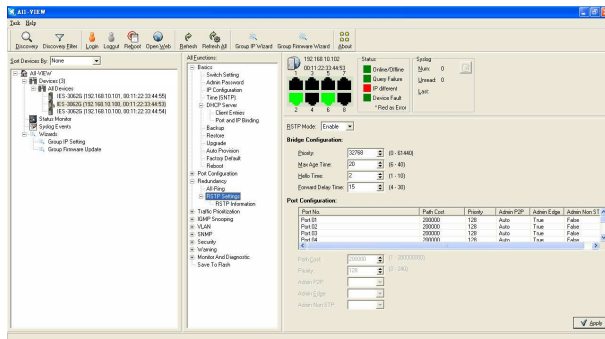
3ISYS's switches are intelligent switches. Being different from other traditional redundant switches, 3ISYS provides a set of Windows utility (**System-vision**) for user to manage and monitor all of industrial Ethernet switches on the industrial network.



Network

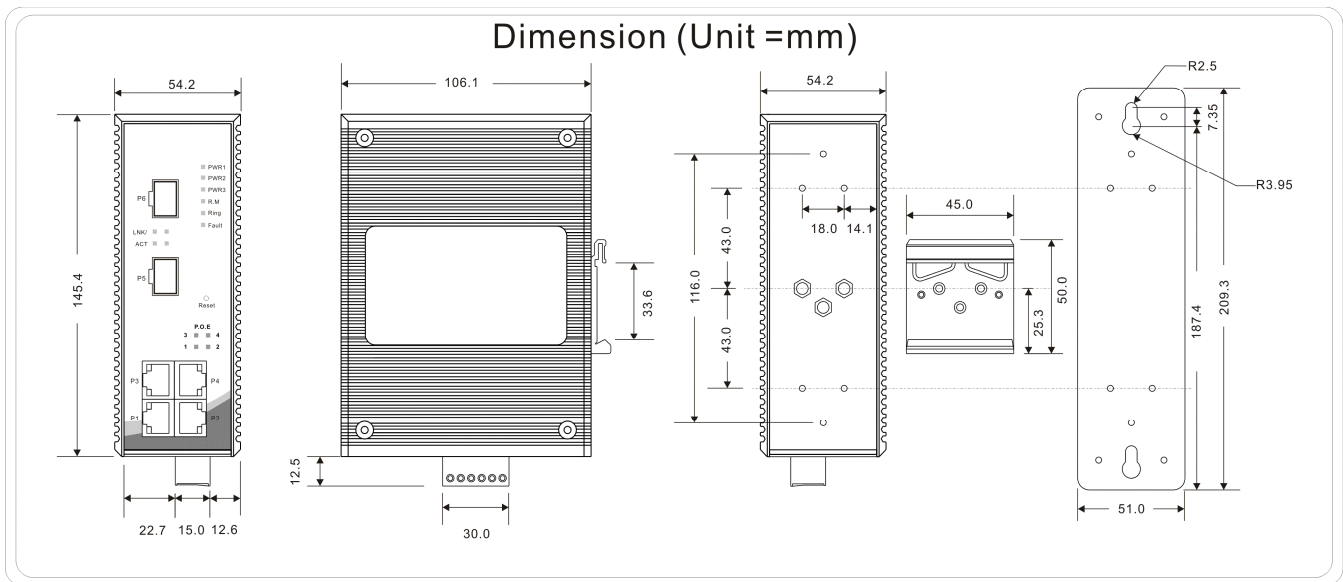


Topology View



Monitoring and Configuration

Dimension



PoE Pin Definition

RJ-45 Pin Definition	
Pin No.	Description
#1	TD+
#2	TD-
#3	RD+
#4	PoE power input +
#5	PoE power input +
#6	RD-
#7	PoE power input -
#8	PoE power input -

Specifications

3ISYS Switch Model	3ISYS-ETHP-4C2F
Physical Ports	
100Base-FX SFP Ports	2
10/100 Base-T(X) Ports in RJ45 Auto MDI/MDIX with P.S.E.	4

Technology	
Ethernet Standards	<ul style="list-style-type: none"> • IEEE 802.3 for 10Base-T, • IEEE 802.3u for 100Base-T(X) and 100Base-FX, • IEEE 802.3x for Flow control • IEEE 802.1D for STP (Spanning Tree Protocol) • IEEE 802.1w for RSTP (Rapid Spanning Tree Protocol) • IEEE 802.1AB for LLDP (Link Layer Discovery Protocol) • IEEE 802.3af PoE specification (up to 25 Watts per port for P.S.E.)
MAC Table	1024 MAC addresses
Priority Queues	4
Processing	Store-and-Forward
Switch Properties	Switching bandwidth: 1.2Gbps VLAN: Port Based
Security Features	Enable/disable ports VLAN to segregate and secure network traffic SNMPv3 encrypted authentication and access security
Software Features	<ul style="list-style-type: none"> • STP/RSTP (IEEE 802.1D/w) • Redundant Ring (Sys-Ring) with recovery time less than 10ms over 250 units • Uni-Ring support the other vendor's ring technology in open architecture • Port configuration, status, statistics, monitoring, security • DHCP Client
Network Redundancy	<ul style="list-style-type: none"> • Sys-Ring • Uni-Ring • Sys-Chain • Fast recovery • STP • RSTP
LED indicators	
Power/PoE Indicator	Green : Power LED x 3. Green : PoE LED x 4
R.M. Indicator	Green : Indicate system operated in Sys-Ring Master mode
Sys-Ring Indicator	Green : Indicate system operated in Sys-Ring mode
Fault Indicator	Amber : Indicate unexpected event occurred
10/100Base-T(X) RJ45 Port Indicator	Green for port Link/Act. Amber for Link
SFP Socket Indicator	Green for port Link/Act. Amber for Link
Fault contact	
Relay	Relay output to carry capacity of 1A at 24VDC

Power		
Redundant Power Input		Triple DC inputs. 2x48VDC on 7-pin terminal block, 1x48VDC on power jack
Power Consumption (Typ.)		7 Watts Max.
Overload Protection Current		Present
Reverse Polarity Protection		Present on terminal block
Physical Characteristic		
Enclosure		IP-30
Dimension (W x D x H)		54.2(W) x106.1 (D) x145.4 (H) mm (2.13x4.18x5.72 inch.)
Weight (g)		700g
Environmental		
Storage Temperature		-40 to 85°C (-40 to 185°F)
Operating Temperature		-40 to 70°C (-40 to 158°F)
Operating Humidity		5% to 95% Non-condensing
Regulatory approvals		
EMI		FCC Part 15, CISPR (EN55022) class A
EMS		EN61000-4-2 (ESD), EN61000-4-3 (RS), EN61000-4-4 (EFT), EN61000-4-5 (Surge), EN61000-4-6 (CS), EN61000-4-8, EN61000-4-11
Shock		IEC60068-2-27
Free Fall		IEC60068-2-32
Vibration		IEC60068-2-6
Safety		EN60950-1
Warranty		1 year

Ordering Information

3ISYS-AAAA-C-F

Module Identifier	Number of 10/100 Base-T(X) Copper Ports	Number of 100Base-FX SFP Ports
Fast P.O.E Lite, ETHP	4	2

Items Included

1	3ISYS-ETHP-4C2F x 1	1	3ISYS Tool CD x 1	1	Quick Installation Guide
1	DIN-Rail Kit x 1	1	Wall mount Kit x 1		x 1

Optional Accessories

1	System-Vision M5C : Powerful Network Management Windows Utility Suit, 500 IP devices	1	3ISYS-SFP-100 : 100Mbps SFP optical transceiver
1	3ISYS-PWR-120-48 : 120 Watts DIN-Rail power supply	1	3ISYS-PWR-75-48 : 75 Watts DIN-Rail power supply
1	3ISYS-PWR-482500, 48VDC/2500mA 120W Power Adapter with universal 100	1	3ISYS-PWR-482500, 48VDC/2500mA 120W Power Adapter with universal 100



CONTACT DETAILS

#F-2, No. 12, Alley 112
Lane 12 Wen Hu Street Taipei, Taiwan
Ph: +886920221793

Office 508, The Fairmont
Shiekh Zayed Road, UAE
Ph: +97143116732

P.O. Box 74, P.C 102 CB 49
Al-Khuwair-233, Muscat
Ph: +96824488412

www.3isysnetworks.com

[Click to Read More](#)

© 2012 3ISYS Networks Inc All rights reserved. This document is 3ISYS Networks Public Information

All specifications are subject to change without further notice. All features with * mark will be available by firmware upgrade.